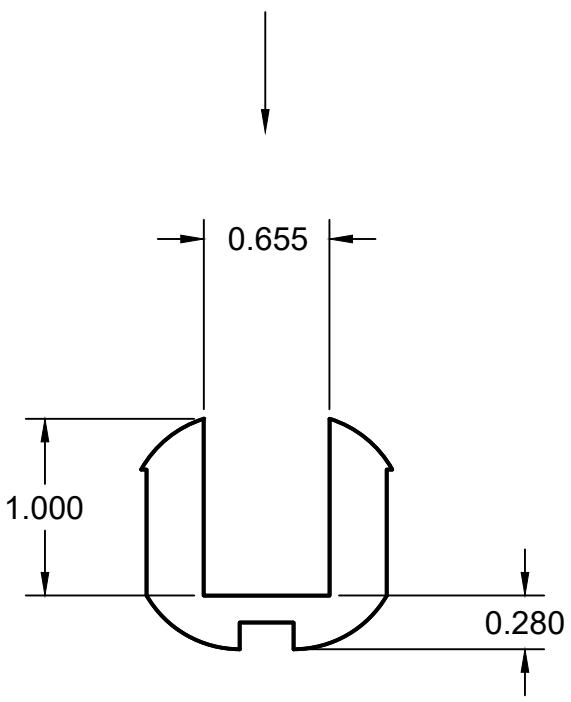


FOR 5/8" RAIL WITH .015 CLEARANCE PER SIDE



TOLL FREE: 1-800-362-6051
 PHONE: (805) 481-3378
 E-MAIL: SALES@ELPROINC.COM

MODEL NO.
DSG

MATERIAL:
 MOLY-DISULPHIDE

SCALE: NONE

TOLERANCES: .X = ± .03
 .X = ± .010
 .X = ± .005
 BREAK SHARP CORNERS
 .003 TO .010

DIMENSIONS IN INCHES UNLESS OTHERWISE SPECIFIED